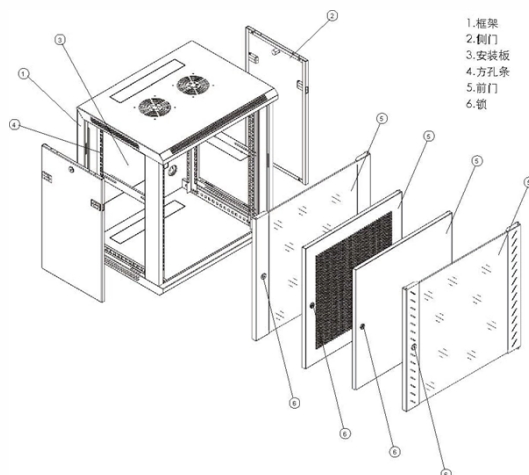


What size cable should be used for an electrophoresis tank



Overview

Power cables with 4mm connectors compatible with most modern low-to-medium voltage power supplies; CE compliant Adaptors are available for complete power supply compatibility. horizontal electrophoresis system cables, electrophoresis system cables, mini electrophoresis system cables, midi electrophoresis system cables, Sign In to View Organizational & Contract Pricing. Pricing and availability is not currently available. Need help?

Our team of experienced scientists is. Replacement cables for destroyed and functionless cable pairs. Adaptable to all. Vertical electrophoresis cells are manufactured in different size formats to accommodate different gels sizes. Cell selection is dependent on the requirements for speed, resolution, and throughput (both number of samples and number of gels) as well as the volume of sample available (see Table. Lead cables with the colors red (anode/ positively charged electrode) and black (cathode/ negatively electrode) link the power supply to the gel box.

Article Content

Electrophoresis Power Supplies: Key Features and

What safety features are standard for electrophoresis power supplies? Standard safety features include safety interlocks that cut power when

Electrophoresis

In accordance with this document, laboratories should use appropriate controls, personal protective equipment, and disposal techniques when performing electrophoresis. Electrophoresis uses

Agarose Gel Electrophoresis Protocol — NeoSynBio

Agarose electrophoresis is not just useful for quantification, it is actually an excellent purification tool. If you want to perform either protocol, it is critical to not damage

Gel Electrophoresis System

A steady power supply should be used to maintain the migration pace. Lead cables with the colors red (anode/ positively charged electrode) and

Essential Guide to Caring for Your Electrophoresis Unit

Regular maintenance is the foundation of a reliable electrophoresis system. Here are some general maintenance tips: Inspection: Before and after

Power Cables replacements for Clarit-E electrophoresis

Power Cables replacements for Clarit-E electrophoresis horizontal and vertical gel tanks Product code: EL2714 Pack Size: 1xPair CE Verification: CE Electrical List

Mastering Electrophoresis: Techniques, Equipment, and

This comparison allows for a precise estimation of the unknown molecule's size, a vital step in characterizing samples. What are the key

Power Cables replacements for Clarit-E electrophoresis

Power cables with 4mm connectors compatible with most modern low-to-medium voltage power supplies; CE compliant Adaptors are available for complete power

Electrophoresis Safety – Stanford Environmental Health

Electrophoresis Safety Electrophoresis is a commonly used laboratory technique which uses electrical energy to separate molecules such as proteins or nucleic

Electrophoresis Helpful Hints

Application note - Helpful hints for successful electrophoresis: power supplies, horizontal and vertical electrophoresis.

Which distance should I measure to calculate the voltage to use for

I've been reading recommendations of which voltage to use for agarose gel electrophoresis and they are often given in V/cm, where the cm refers to the "distance between the anode and cathode" of ...

Gel Electrophoresis Steps Explained | Protocol, Timing

Learn the main gel electrophoresis steps, what equipment you need, how to troubleshoot, and how to visualize and document results accurately.

Gel Electrophoresis Equipment

Thomas Scientific provides the latest in Electrophoresis Systems to the scientific community. We offer individualized customer service and a comprehensive line

Protein Electrophoresis Equipment

The choice of power supply for PAGE applications usually depends on the size and number of gels being run. The following Table compares the Bio-Rad

How To Choose The Right Power Supply For Gel

Which power supply to choose for gel electrophoresis depends on the application. Here are answers to several common questions we receive about power

Electrophoresis Power Supply: Everything You Must Know

Why Should You Use Electrophoresis Power Supply? A specialized electrophoresis power supply ensures: Consistent and reproducible results Accurate separation

Electrophoresis cables for electrophoresis units, Rotiphorese ...

Product details Replacement cables for destroyed and functionless cable pairs. Adaptable to all electrophoresis units and power supplies with adapter pairs T843, K294 and K295.

Electrophoresis Tank: DNA, RNA & Protein Analysis

Electrophoresis is a fundamental laboratory technique used to separate and analyze biological molecules such as DNA, RNA, and proteins, often performed using an Electrophoresis

Audio Science Review (ASR) Forum

Audio reviews, science and engineering discussions. Please note: you must be a Forum Donor to create threads/post items for sale here. This is done to reduce the probability of scams. NOTE: ASR is in no

Electrophoresis System Accessories and Replacement

Shop from our array of electrophoresis system accessories and replacement parts designed to support and enhance electrophoresis system functionality. These

Electrophoresis Standard Operating Procedures

Protocol Inspect the electrophoresis apparatus to be used. Examine the insulation on the high voltage leads and wires for signs of deterioration. Check the buffer tanks for cracks, leaks, missing covers, or

Gel Electrophoresis Equipment | Fisher Scientific

Browse a full range of Gel Electrophoresis Equipment products from leading suppliers. Shop now at Fisher Scientific for all of your scientific needs.

Addgene: Protocol

Introduction Gel electrophoresis is the standard lab procedure for separating DNA by size (e.g., length in base pairs) for visualization and purification. Electrophoresis uses an electrical field to

Agarose Gel Electrophoresis System

General description DirectLoad™ Electrophoresis cables (Black & Red) for DirectLoad™ Mini and Midi Horizontal Electrophoresis Systems. The DirectLoad™ Mini and Midi Horizontal Electrophoresis

Electrophoresis Equipment: Guidelines for Safe Use

Electrophoresis Equipment: Guidelines for Safe Use Abstract: Electrophoresis units present electrical, chemical, and radiological hazards. All of these hazards need to be addressed

Safe Operating Procedure

Principal Investigators or Lab Managers are responsible for providing instruction and demonstrating safe use of electrophoresis units to laboratory workers. Instruction should cover operating procedures

Horizontal Electrophoresis

Agarose Gel Preparation for DNA Separation Agarose gels can be used to separate DNA of various sizes. Before casting an agarose gel determine the appropriate percent agarose gel to use, based on

The wire/cable in a electrophoresis chamber, what

Buy platinum wire for electrophoresis 0.01inch in diameter (0.25mm) and replace the old one with new one. 1m wire will weigh around 1.05grams.

Contact Us

For more information, pricing, or custom solutions, please contact us:

Website: <https://www.truhope.co.za>

Email: sales@truhope.co.za

Phone: +27 64 987 3021

Address: 22 Loop Street, Cape Town, 8001, South Africa

This document is for informational purposes only. Specifications subject to change without notice.

